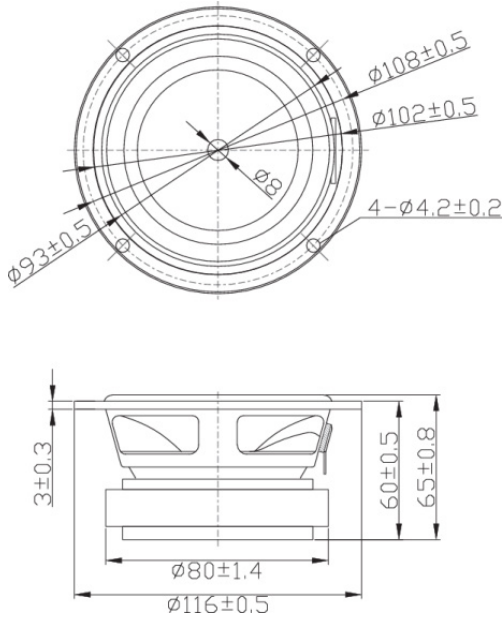




TCP115-8 4" Treated Paper Cone Midbass Woofer 8 Ohm



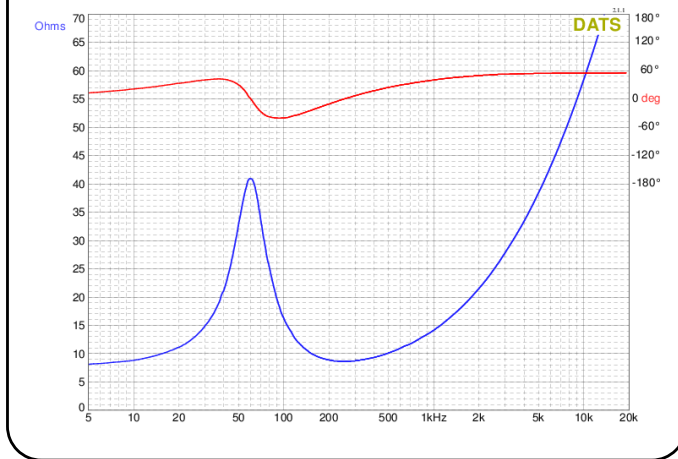
PARAMETERS

Impedance	8 ohms
Re	7.8 ohms
Le	1.9 mH
Fs	59.2 Hz
Qms	2.3
Qes	0.54
Qts	0.43
Mms	10.16 g
Cms	0.71 mm/N
Sd	50 cm ²
Vd	N/A
BL	7.4 Tm
Vas	2.52 liters
Xmax	4 mm
VC Diameter	1"
SPL	81.9 dB @ 2.83V/1m
RMS Power Handling	40 watts
Usable Frequency Range (Hz)	55 - 6,000 Hz

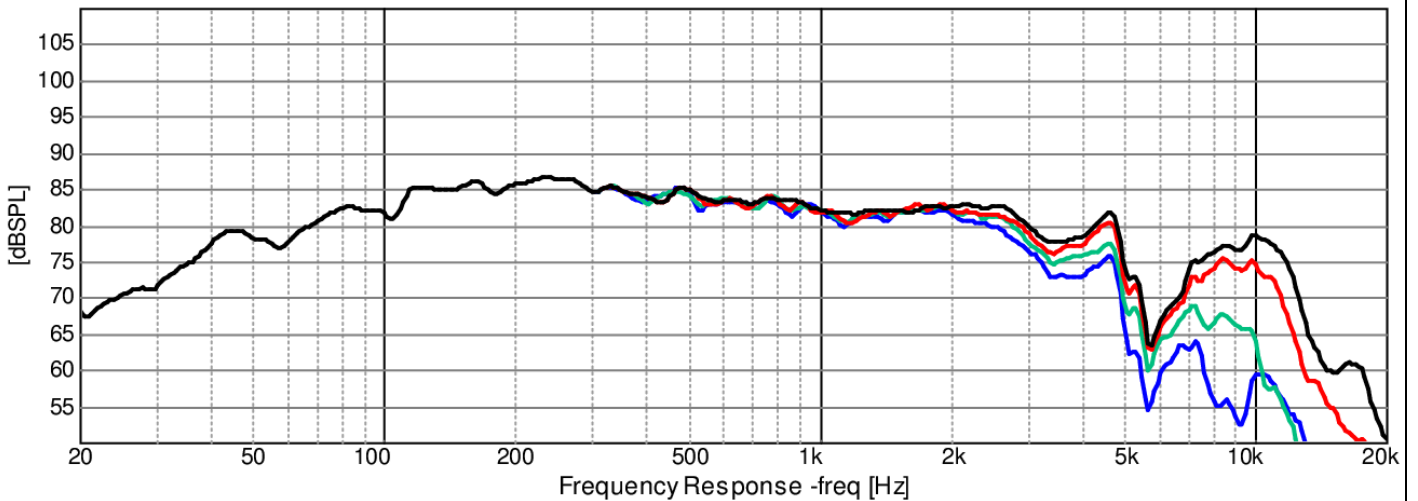
FEATURES

- Powerful motor for efficiency and compact enclosure
- 1" diameter 4-layer voice coil improves power handling and low frequency response
- Aluminum former keeps voice coil cool for high power handling
- Extended pole piece creates symmetrical magnetic field for lower distortion
- Cosmetic low-profile mounting flange looks good without flush mounting

IMPEDANCE/PHASE



FREQUENCY RESPONSE



OmniMic

Note: 1/24th octave smoothing - nearfield response included in graph below 450 Hz.

Black = 0°
Red = 15°
Green = 30°
Blue = 45°