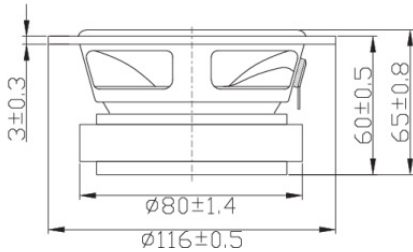
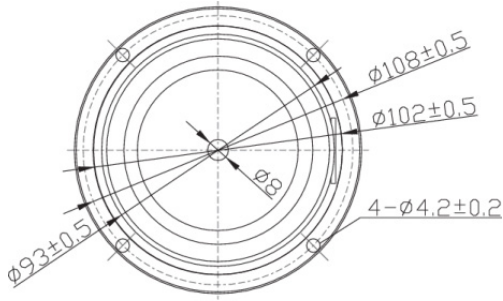




TCP115-4 4" Treated Paper Midbass Woofer 4 Ohm



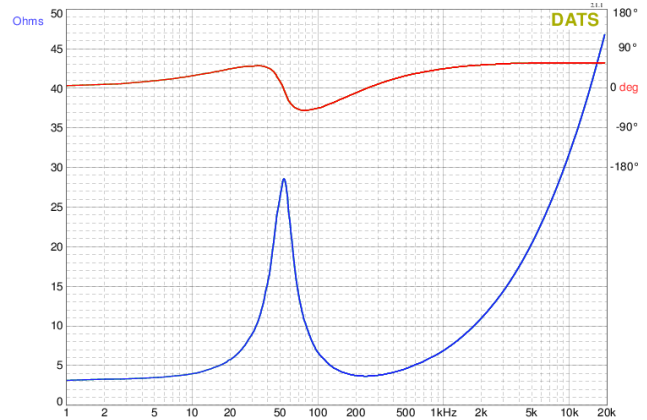
FEATURES

- Aluminum former keeps voice coil cool for high power handling
- 1" diameter 4-layer voice coil improves power handling and low frequency response
- Extended pole piece creates symmetrical magnetic field for lower distortion
- Cosmetic low-profile mounting flange looks good without flush mounting
- Powerful motor for efficiency and compact enclosure

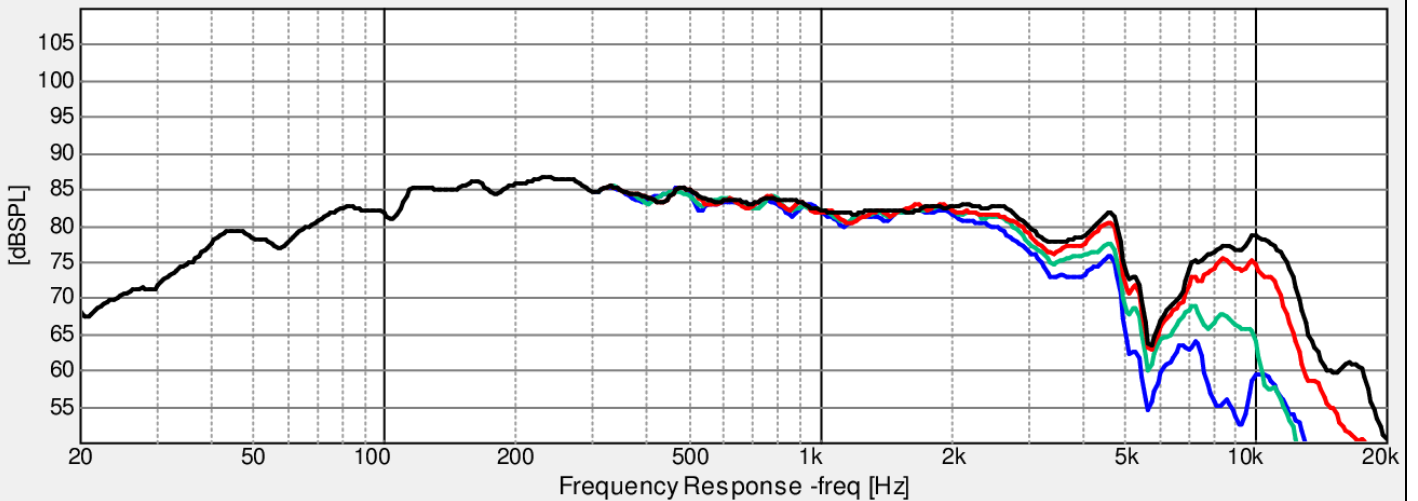
PARAMETERS

Impedance	4 ohms
Re	3.2 ohms
Le	0.97 mH
Fs	53.8 Hz
Qms	3.14
Qes	0.40
Qts	0.35
Mms	9.9 g
Cms	0.88 mm/N
Sd	50.3 cm ²
Vd	20.1 cm ³
BL	5.2 Tm
Vas	3.1 liters
Xmax	4.0 mm
VC Diameter	1"
SPL	86.8 dB @ 2.83V/1m
RMS Power Handling	40 watts
Usable Frequency Range (Hz)	55 - 5,000 Hz

IMPEDANCE/PHASE



FREQUENCY RESPONSE



OmniMic

Note: 1/24th octave smoothing - nearfield response included in graph below 450 Hz.

Black = 0°
Red = 15°
Green = 30°
Blue = 45°