

RS75-4

3" Reference Full-Range Driver 4 Ohm

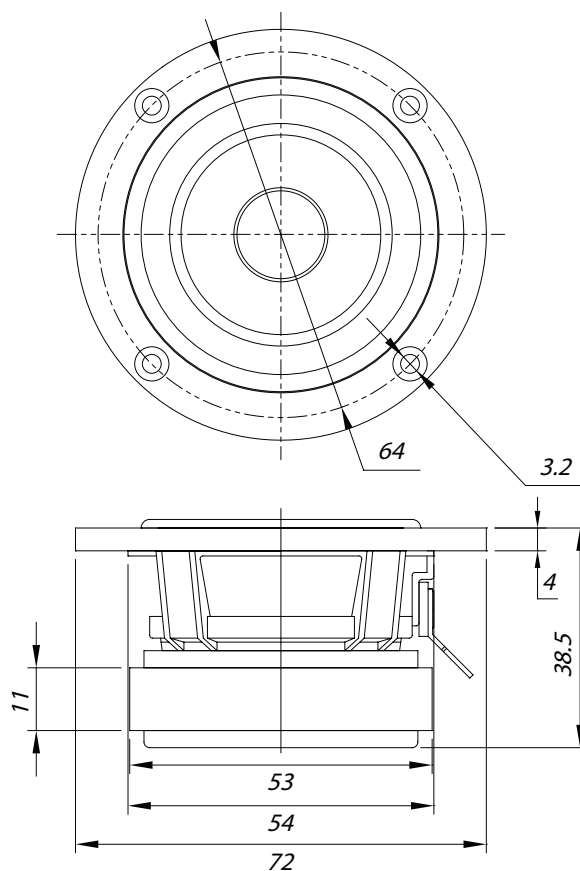


Features

- Lightweight black anodized aluminum cone
- 4 ohm nominal impedance
- Attractive 4-hole cast frame
- Advanced low distortion motor design
- Solid aluminum phase plug
- Rubber surround

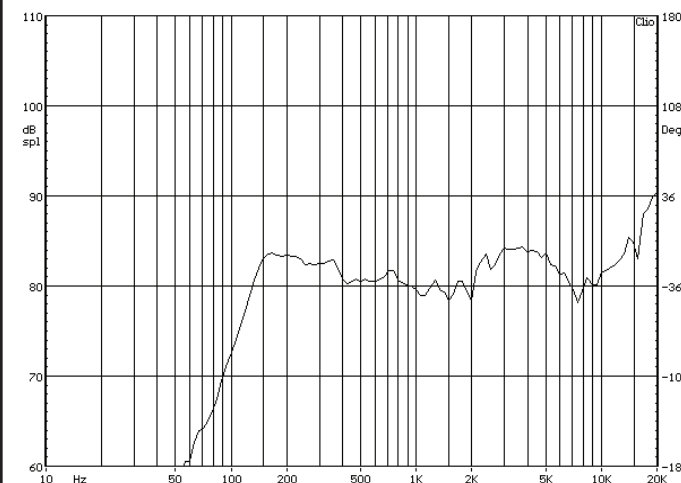
Parameters

Impedance (Ω)	4
Re (Ω)	3.2
Le (mH) @ 1 kHz	0.19
Fs (Hz)	154.1
Qms	5.39
Qes	0.91
Qts	0.78
Mms (g)	1.1
Cms (mm/N)	0.97
Sd (cm ²)	15.2
Vd (cm ³)	1.7
BL (Tm)	1.94
VAS (liters)	0.31
XMAX (mm)	1.1
VC Diameter (mm)	16.4
SPL (dB@1W/1m)	83.0
RMS Power Handling (W)	15
Usable Frequency Range (Hz)	150 - 20,000



Note: All dimensions in mm.

Frequency Response



Impedance/Phase

