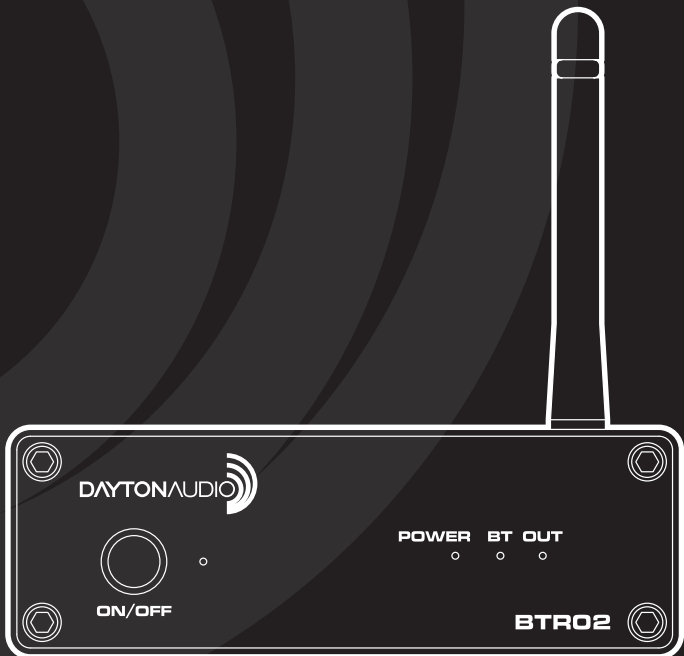




# BLUETOOTH 5.0 AUDIO RECIEVER WITH 24-BIT/48 KHZ APTX HD

Model: BTR02      User Manual



**Thank you** for purchasing the Dayton Audio® BTR02 Bluetooth Audio Receiver. The BTR02 Bluetooth Audio Receiver supports CSR true digital signal outputs and HIFI lossless music playback. The BTR02 gives you great sounding audio with the convenience of wireless connectivity.

Coaxial and optical digital and universal RCA L/R Analog outputs makes this product a great choice for any audio setup.

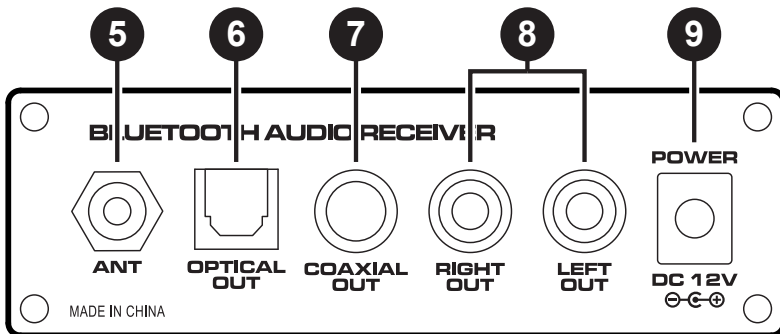
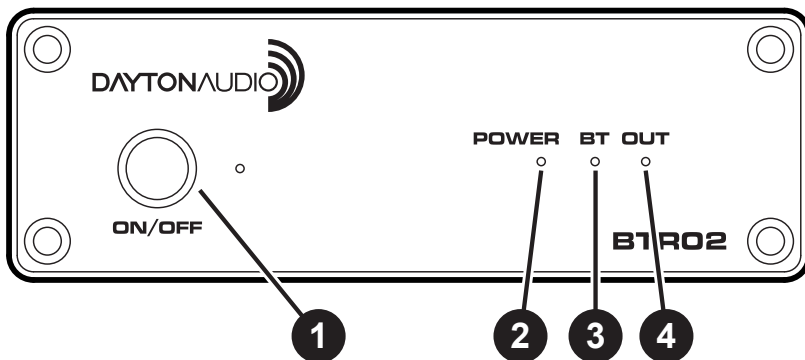
### Front Panel:

1. **Power:** Press to power the device on and off.
2. **Power indicator LED:** The red LED will light up when the device is powered on.
3. **Bluetooth Indicator LED:** The blue LED will blink when pairing, and stay solid when a device is connected.
4. **Output Signal Indicator LED:** The Green LED will light up when there is audio output from the BTR02.

### Rear Panel:

5. Antenna Connector
6. Optical Output
7. Coaxial Output
8. RCA Stereo Output
9. DC Power Connection

## Front Panel



## Rear Panel

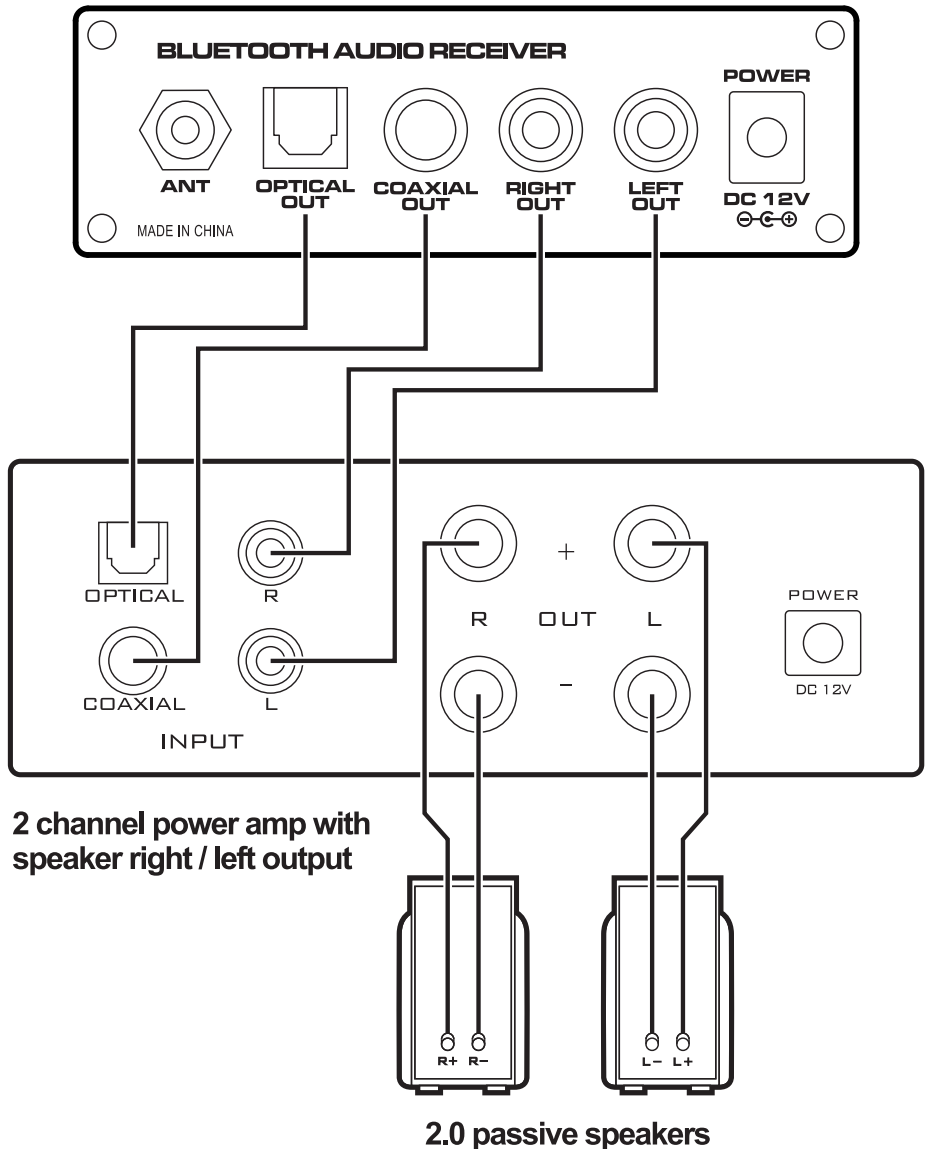
## Connection Instructions:

Connect the BTR02 to your amplifier according to the connection diagram below.

When connecting or disconnecting to the audio outputs of the BTR02 be sure that the power is turned off.

## Typical Connection

### BTR02



## Specifications:

<b>Bluetooth Version:</b>	5.0
<b>Supported Codecs:</b>	Qualcomm® aptX™ Audio, Qualcomm® aptX™ HD
<b>Outputs:</b>	Stereo RCA, Coaxial, Optical
<b>Bit Depth:</b>	16 - 24 bit
<b>Sampling Rate:</b>	44.1 - 48 kHz
<b>Distortion:</b>	>0.0004%
<b>Frequency Response:</b>	20 Hz - 20 kHz
<b>SNR:</b>	90 dB
<b>DC Power Input:</b>	12V 1A
<b>Dimensions:</b>	1.29" x 3.58" x 2.28"
<b>Weight:</b>	0.35 lb.

## Important Safety Instructions

To reduce the risk of electric shock, do not remove cover. No user serviceable parts inside. Refer servicing to qualified personnel. To reduce the risk of fire and shock do not expose unit to rain or moisture. The unit should be connected to an earth grounded AC electrical socket. The unit should be operated in a well ventilated area. Minimum clearance is 2 inches from the ventilation openings.



## 5-Year Limited Warranty

See [daytonaudio.com](http://daytonaudio.com) for details



daytonaudio.com  
tel + 937.743.8248  
info@daytonaudio.com

705 Pleasant Valley Dr.  
Springboro, OH 45066  
USA

