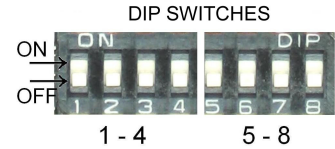
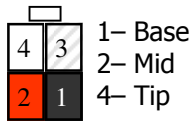


1-Open the Black box and set the DIP switches 1-4 according to the type of aftermarket car radio to be fitted. (see below for models).

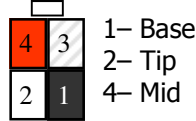
2-Plug up the 4 pin Molex connector depending on which Head-unit you are fitting.



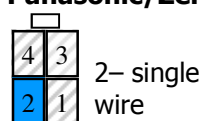
Pioneer/ Sony



Alpine/Clarion/JVC



**JVC/Kenwood
Panasonic/Zenec**

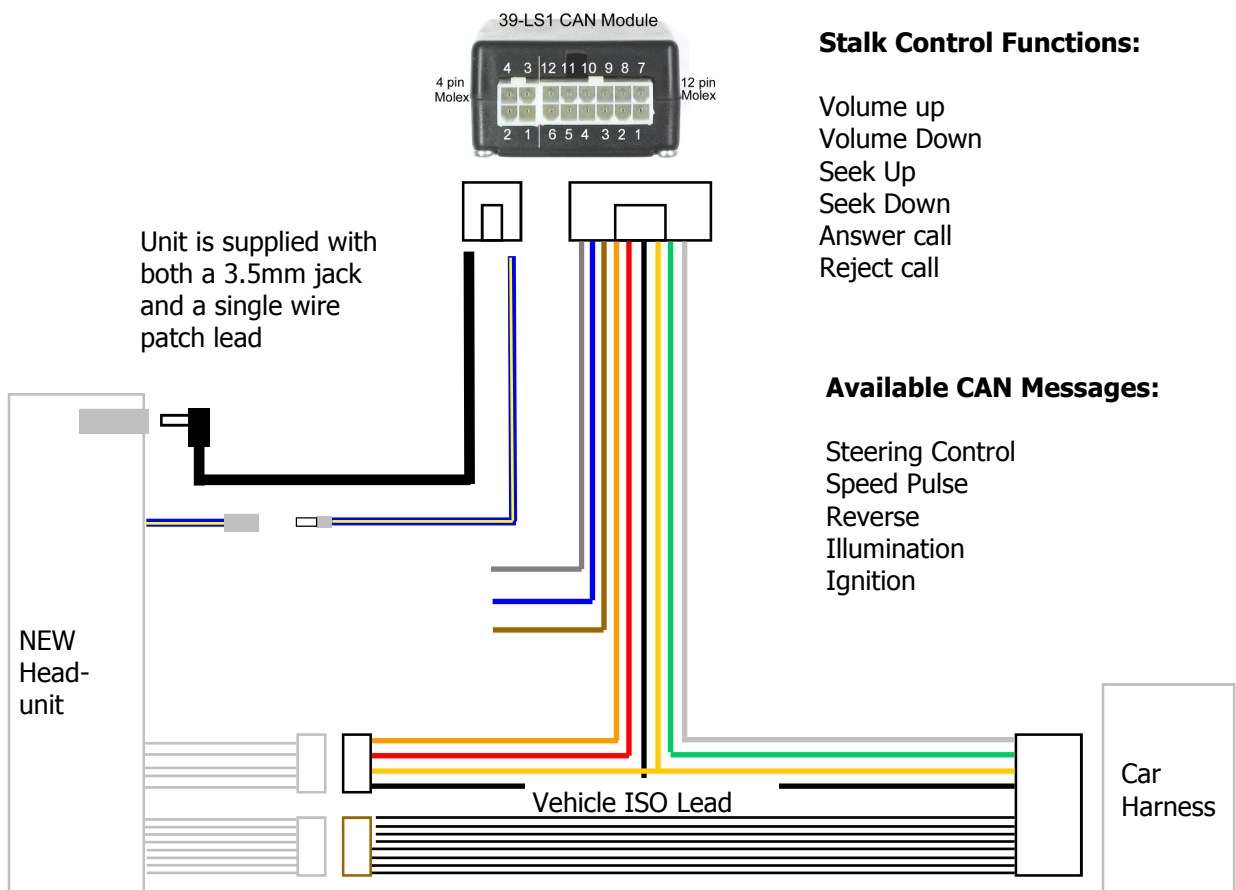


Switch	1	2	3	4
	1	0	0	0
Alpine	0	1	0	0
Kenwood	1	1	0	0
JVC	0	0	1	0
Blaupunkt	1	0	1	0
Clarion	0	1	1	0
Panasonic	1	1	1	0
Zenec	0	0	0	1
Eclipse	1	0	0	1
Grundig	0	0	1	1
Sony	1	0	1	1
Pioneer	0	1	1	1
Becker	1	1	1	1
	0	1	0	1
	1	1	0	1

3- Check that Dip switch 5 is set to ON. This is the default for Volvo cars

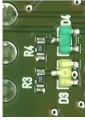
4- Disconnect Battery. Remove OEM radio. Connect new interface to car loom . Reconnect battery. Fit new Head-unit.

Failure to disconnect battery before removing the radio may cause warning light errors. Some models may need computer reset by a Volvo



39-VOL-01 Pin Configurations

LED STATUS




1 Green
2 Yellow

Green—CAN active

Yellow— Ignition output active


Pin Configuration of Head-unit patch lead

Pioneer/ Sony




1– Base
2– Mid
4– Tip

Alpine/Clarion/JVC



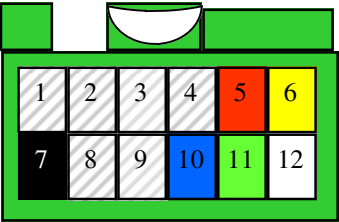
1– Base
2– Tip
4– Mid

**JVC/Kenwood
Panasonic/Zenec**



2– single wire

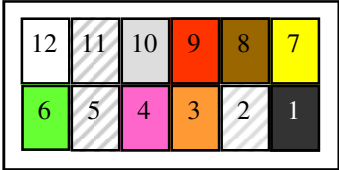
Volvo Green Connector Wire Entry View



- 1-NC
- 2- NC
- 3- NC
- 4- NC
- 5- Ignition Kl.15 +12v
- 6- Mem kl.30 +12v
- 7- GROUND Kl.31 -12v
- 8-NC
- 9-NC
- 10- Antenna turn on
- 11- CAN LOW
- 12- CAN HIGH

NOTE: The Can high and low wire colours are the same as original Volvo colours.

URI 12 pin Connector Wire Entry View



URI 12 pin Connector-Wire entry side

1- BLACK Gound	Kl.31 to car -12v neg
2- NC	Kl. 31
3- ORANGE lights on	Kl.58 +12v out
4- PINK Reverse	R +12v out
5- NC	Becker Navi C3 pin 15
6- GREEN Can Low	To car CAN LOW
7- YELLOW 12v in	Kl.30 to car +12v mem
8- BROWN Handbrake	HB -12v neg out
9- RED Ignition out	Kl.15 12v output
10- GREY Speed pulse	1hz per km/h
11- NC	Becker Navi C3 pin 16
12- WHITE Can High	To car CAN HIGH