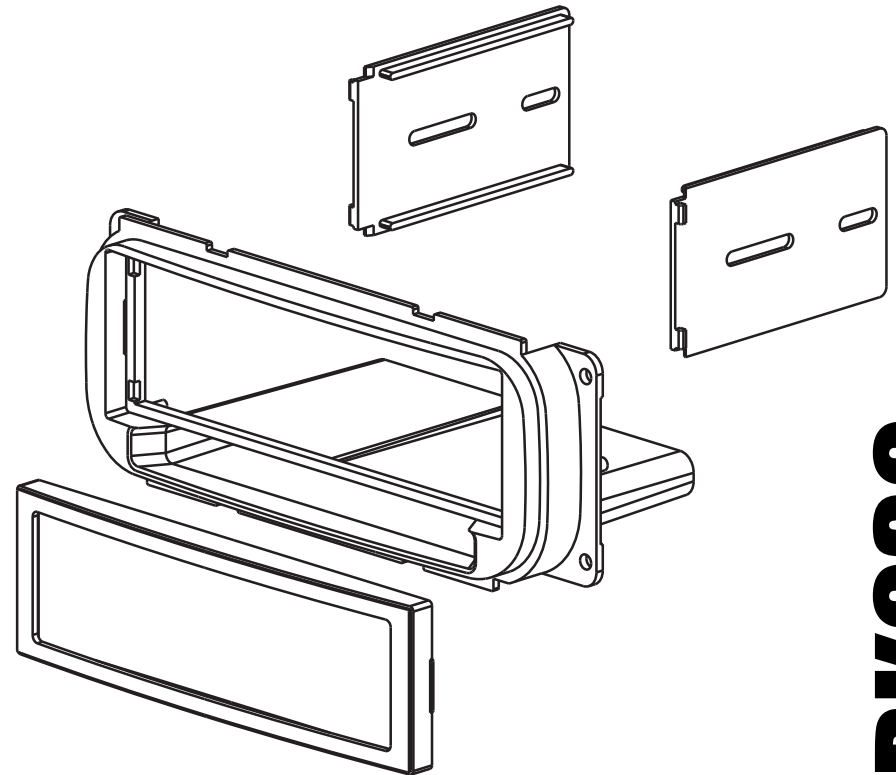


For information about other American International automotive accessories visit our website at:

<http://www.aius.net>



**American
International**
Car Stereo Installation Kits & Accessories



CDK636 Mounting Kit



American International

WWW.AIUS.NET

2500 East Francis Street Ontario, CA 91761, U.S.A.

USA Sales (800) 336-6500

Canada Sales (888) 922-3006

CUSTOMER HELP LINE

USA 800-323-4329 • Canada 800-245-8777

iCDK636

VEHICLE APPLICATIONS

CHRYSLER

1998-04 CONCORD
2001-05 PT CRUISER
1998-01 LHS
1999-04 300M
2001-06 SEBRING
2001-07 TOWN & COUNTRY
2000-03 VOYAGER

DODGE

2001-07 CARAVAN
2001-04 DAKOTA P/U
2001-03 DURANGO

DODGE (Continued)

1998-04 INTREPID
2000-05 NEON
2002-05 RAM P/U
2001-06 STRATUS
2002-10 VIPER

JEEP

1999-04 GRAND CHEROKEE

2002-07 LIBERTY

2003-06 WRANGLER

PLYMOUTH

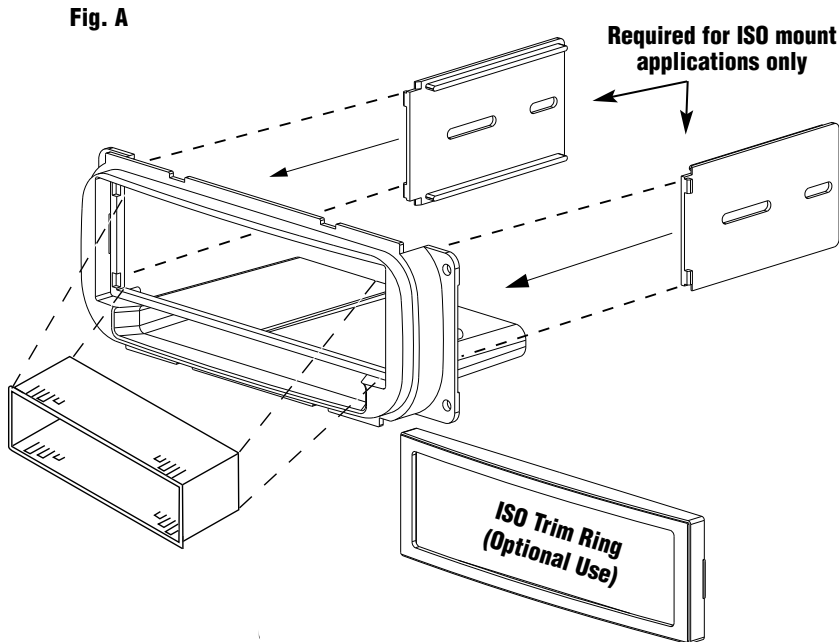
2000-01 NEON

RADIO & KIT INSTALLATION INSTRUCTIONS

Note: Pocket must be on bottom for all applications.

DIN MOUNT

1. Insert metal sleeve (supplied with new radio) into kit & depress tabs upward, outward & downward.
2. Insert radio until it locks into the sleeve.
3. Attach rear support strap (optional) to rear of pocket and to rear of radio.



ISO MOUNT

1. Attach ISO brackets to the rear of the main mounting kit (see illustration above).
2. Slide radio into kit from rear & attach to ISO mounting brackets using screws supplied with radio (do not tighten screws at this time).
3. Slide radio forward or backward for your desired look and then tighten the mounting screws. Use ISO trim ring when possible.
4. Attach rear support strap (optional) to rear of pocket and to rear of radio.

1999-2004 JEEP GRAND CHEROKEE

DASH DISASSEMBLY

1. Carefully detach & remove the Radio / Vent trim bezel by pulling forward from the dashboard to release the retaining clips.
2. Remove the (4) Phillips screws securing the factory radio to the sub-dash.
3. Pull the radio forward, unplug the wire harness & antenna lead and remove radio.

2002-2004 JEEP LIBERTY

DASH DISASSEMBLY

1. Remove the ashtray & the (1) Phillips screw found behind it.
2. Starting at the lower edge of the Radio/Climate Control trim bezel, Carefully pry the bezel forward from the dashboard to release the retaining clips.
3. Disconnect the Climate Control wiring harnesses, and then remove the bezel.
4. Remove the (4) Phillips screws securing the factory radio to the sub-dash.
5. Pull the radio forward to unplug the wiring harness & antenna lead and remove radio.

2005-07 JEEP LIBERTY

DASH DISASSEMBLY

1. Remove the (1) Phillips screw located inside the pocket below the climate controls.
2. Carefully unclip and pull entire Radio/climate control trim bezel forward, disconnect all harnesses attached to the rear of the trim bezel and remove bezel.
3. Remove the (4) screws securing the factory radio to the sub-dash.
4. Carefully pull radio forward, disconnect the wire harness and antenna lead and remove radio.

2003-2006 JEEP WRANGLER

DASH DISASSEMBLY

1. Remove the ashtray by opening it, and then depress the retaining lever to remove the tray from the bezel. Set ashtray aside.
2. Remove the (1) Phillips screw from inside the ashtray mount area.
3. Carefully remove the long trim panel from the top of the dashboard secured by (5) retaining clips, and then set the trim panel aside.
4. Remove the (2) Phillips screws now exposed on the top of the Radio / Climate Control bezel.
5. Starting from the lower edges of the Radio / Climate Control bezel, pull towards yourself to detach the final (2) retaining clips holding the Radio / Climate Control bezel to the sub-dash.
6. Remove the (4) Phillips screws securing the factory radio to the sub-dash.
7. Pull the radio forward to disconnect the radio wiring plugs, ground lead, & antenna, and then remove the radio.

**2000-2005 DODGE NEON
2000-2001 PLYMOUTH NEON**

DASH DISASSEMBLY

1. Remove the Climate Control Knobs by pulling them outward from the panel.
2. Adjust each airflow vent downwards fully.
3. Carefully apply pressure downward to each vent until they release from the bezel.
4. Remove the (2) Phillips screws from the top of the vent area, and then remove the bezel.
5. Remove the (4) Phillips screws securing the factory radio to the sub-dash.
6. Pull the radio forward from the dash, disconnect the wiring harness, ground lead & antenna lead and remove radio.

2002-2005 DODGE RAM PICKUP

DASH DISASSEMBLY

1. Remove the (1) Phillips screw from the right side of the Radio / Climate Control trim bezel located just above the coin tray and below the passenger air bag ON / OFF key switch.
2. Remove the Radio / Climate Control trim Bezel from the dashboard.
3. Remove the (4) Phillips screws securing the factory radio to the sub-dash.
4. Pull the radio forward to disconnect the wiring harness & antenna lead and remove radio.

2001-2006 DODGE STRATUS – COUPE

DASH DISASSEMBLY

1. Remove the (2) Phillips screws from the lower rear section of the Radio / Climate Control trim bezel.
2. Carefully pull the trim bezel forward towards you to release the (2) retaining clips, and then disconnect the wire harness from the emergency flasher switch and remove the trim bezel.
3. Remove the (4) Phillips screws securing the factory radio to the sub-dash.
4. Pull the radio forward to detach the wiring harness & antenna lead and remove radio.

2001-2006 DODGE STRATUS – SEDAN

DASH DISASSEMBLY

1. Carefully remove the Radio / Climate Control trim bezel by prying the panel forward from the dash to release the (6) retaining clips. Start with the lower right & left corner of the bezel and work upwards until the entire bezel is detached from the sub-dash.
2. Disconnect the Climate Control wiring harness, and then remove the dash bezel.
3. Remove the (4) Phillips screws securing the factory radio to the sub-dash.
4. Pull the radio forward to disconnect the wiring harness & antenna lead, and remove radio.

1999-2004 CHRYSLER 300M

DASH DISASSEMBLY

1. Starting at the lower right corner, pry the Radio / Climate Control trim Bezel forward to access the attached wire harness.
2. Disconnect the wire harness from the rear of the Climate Control Bezel and remove bezel.
3. Remove the (4) Phillips screws securing the factory radio to the sub dash.
4. Pull the factory radio forward, disconnect the wiring harnesses & antenna lead and remove radio.

1998-2004 CHRYSLER CONCORD

DASH DISASSEMBLY

1. On select models, removal of the ashtray is necessary.
2. Carefully remove the factory Radio / Climate Control trim bezel from the dashboard by pulling it forward from the main body of the dashboard.
3. Disconnect the wire harness from the rear of the Climate Controls and remove bezel.
4. Remove the (4) screws securing the factory radio to the sub-dash, and unplug the radio harness & antenna lead and remove radio.

1998-2001 CHRYSLER LHS

DASH DISASSEMBLY

1. Starting at the lower right corner, pry the Radio / Climate Control trim Bezel forward to access the attached wire harness.
2. Disconnect the wire harness from the rear of the Climate Control Bezel and remove bezel.
3. Remove the (4) Phillips screws securing the factory radio to the sub dash.
4. Pull the factory radio forward, disconnect the wiring harness & antenna lead and remove radio.

2001-2005 CHRYSLER PT CRUISER

DASH DISASSEMBLY

1. Carefully pry the power window switch module from the dash bezel. Unplug the wire harness and remove the window switch module.
2. Remove the (1) Phillips head screw located in the recessed area at the rear of the window switch area.
3. Carefully remove the (4) climate control knobs by pulling them directly forward from the Climate Control Panel.
4. Carefully pry the dash bezel forward to remove.
5. Remove the (4) Phillips head screws securing the factory radio to the sub-dash. Pull the factory radio forward, disconnect the wire harness & antenna lead and remove radio.

2001-2006 CHRYSLER SEBRING

DASH DISASSEMBLY

1. Carefully pry Radio / Climate Control Bezel forward to access the attached wire harness.
2. Disconnect the Climate Control harness and remove bezel.
3. Remove the (4) Phillips Screws securing the factory radio to the sub-dash.
4. Pull the radio forward enough to disconnect the wire harness and antenna lead and remove radio.

2001-2007 CHRYSLER TOWN & COUNTRY

DASH DISASSEMBLY

1. Carefully remove the trim panel at the lower edge of the Radio / Climate Control trim bezel.
2. Remove the (2) Phillips screws securing the Radio / Climate Control Bezel to the sub-dash.
3. Carefully detach the Radio / Climate Control bezel & pull forward.
4. Disconnect the factory wire harnesses from the Radio / Climate Control trim bezel, then remove trim bezel.
5. Remove the (4) Phillips screws securing the factory radio to the sub-dash.
6. Pull the factory radio forward, disconnect the wire harness & antenna lead and remove radio.

2000-2003 CHRYSLER VOYAGER

DASH DISASSEMBLY

1. Remove the cup holder.
2. Carefully remove the small trim plate located above the cup holder, exposing (4) Phillips screws.
3. Remove the (2) center screws, and set them aside.
4. Carefully remove the Radio / Climate Control trim Bezel by first prying from the lower right & left corners of the bezel to release the (6) retaining clips.
5. Unplug the wiring harnesses from the rear of the trim bezel and remove trim bezel.
6. Remove the (4) Phillips screws securing the factory radio to the sub-dash.
7. Pull the radio forward, disconnect the wiring harnesses & antenna lead and remove radio.

2001-2007 DODGE CARAVAN

DASH DISASSEMBLY

1. Remove the small panel bellow the Radio / Climate Control trim bezel to gain access to the (2) screws securing the bezel to the dashboard.
2. Remove the (2) screws, then remove the Radio / Climate Control trim bezel.
3. Remove the (4) Phillips screws securing the factory radio to the sub-dash.
4. Disconnect the radio wire harness & antenna lead and remove radio.

2001-2004 DODGE DAKOTA PICKUP

DASH DISASSEMBLY

1. Open the driver's door to remove the fuse block cover located on the far left end of the dashboard.
2. Remove the driver's side dash panel by first removing the (3) #15 Torx screws from the lower edge the panel. Remove the panel from the dashboard by pulling it towards you to release the (3) retaining clips at the top of the panel.
3. Remove the (2) Phillips screws located vertically at the top of the instrument cluster. Set the parking brake, and position the shifter to Neutral, (N).
4. Carefully remove the Radio / Climate Control Bezel from the dashboard by pulling bezel towards you from the dashboard to release the retaining clips securing the bezel to the sub-dash.
5. Disconnect the harness from the headlight switch and remove bezel.
6. Remove the (4) Phillips screws securing the radio to the sub-dash, then pull the radio forward to disconnect the wiring harnesses & antenna lead and remove radio.

2001-2003 DODGE DURANGO

DASH DISASSEMBLY

1. Open the driver's door to remove the fuse block cover located on the far left end of the dashboard.
2. Remove the driver's side dash panel by first removing the (3) #15 Torx screws from the lower edge the panel. Remove the panel from the dashboard by pulling it towards you to release the (3) retaining clips at the top of the panel.
3. Remove the (2) Phillips screws located vertically at the top of the instrument cluster. Set the parking brake, and position the shifter to Neutral, (N).
4. Carefully remove the Radio / Climate Control Bezel from the dashboard by pulling bezel towards you from the dashboard to release the retaining clips securing the bezel to the sub-dash.
5. Disconnect the harness from the headlight switch and remove bezel.
6. Remove the (4) Phillips screws securing the radio to the sub-dash, then pull the radio forward to disconnect the wiring harnesses & antenna lead and remove radio.

1998-2004 DODGE INTREPID

DASH DISASSEMBLY

1. Engage the parking brake.
2. Put key in ignition and turn the ignition switch to the ON position (DO NOT start the car!) then place the shift lever into neutral.
3. Carefully pry upwards on the left rear corner of the shifter console bezel to release the first of (4) retaining clips. Then move to the right rear corner of the shift console bezel to release the second clip.
4. Once the rear two retaining clips are loose, grasp the shift console bezel and pull upwards and back to detach the remaining right and left retaining clips. Carefully rest the shift console bezel in front of the center armrest.
5. Carefully unclip the Radio / Climate Control trim bezel by first pulling from the lower right, and then the lower left corners of the Radio / Climate Control trim bezel to release two of the (4) retaining clips. Then unclip the upper right and left retaining clips securing the Radio / Climate Control trim bezel in place.
6. Carefully pull Radio / Climate Control trim bezel forward and disconnect the Climate Control wiring harness, and then carefully lift the bezel over the steering column.
7. Remove the (4) Phillips screws securing the factory radio to the sub-dash.
8. Pull the factory radio forward to disconnect the wiring harness and antenna lead, and remove radio.